

# Suction Drain



[www.braile.com.br](http://www.braile.com.br)

 **BRAILE**<sup>®</sup>  
BIOMÉDICA



**Description:** The Suction Drain comprises a tip coupled to a flexible extension, and a vacuum adapter in the opposite end. All components are made of materials which are suitable for medical and pharmaceutical use. The product works connected to a vacuum source, resulting in a suction effect that permits aspiration and drainage of fluids by means of the tip.

**Indication:** The Suction Drain is intended for draining fluids (blood, secretions or solutions), by aspiration during surgical procedures.

## Technical Specifications

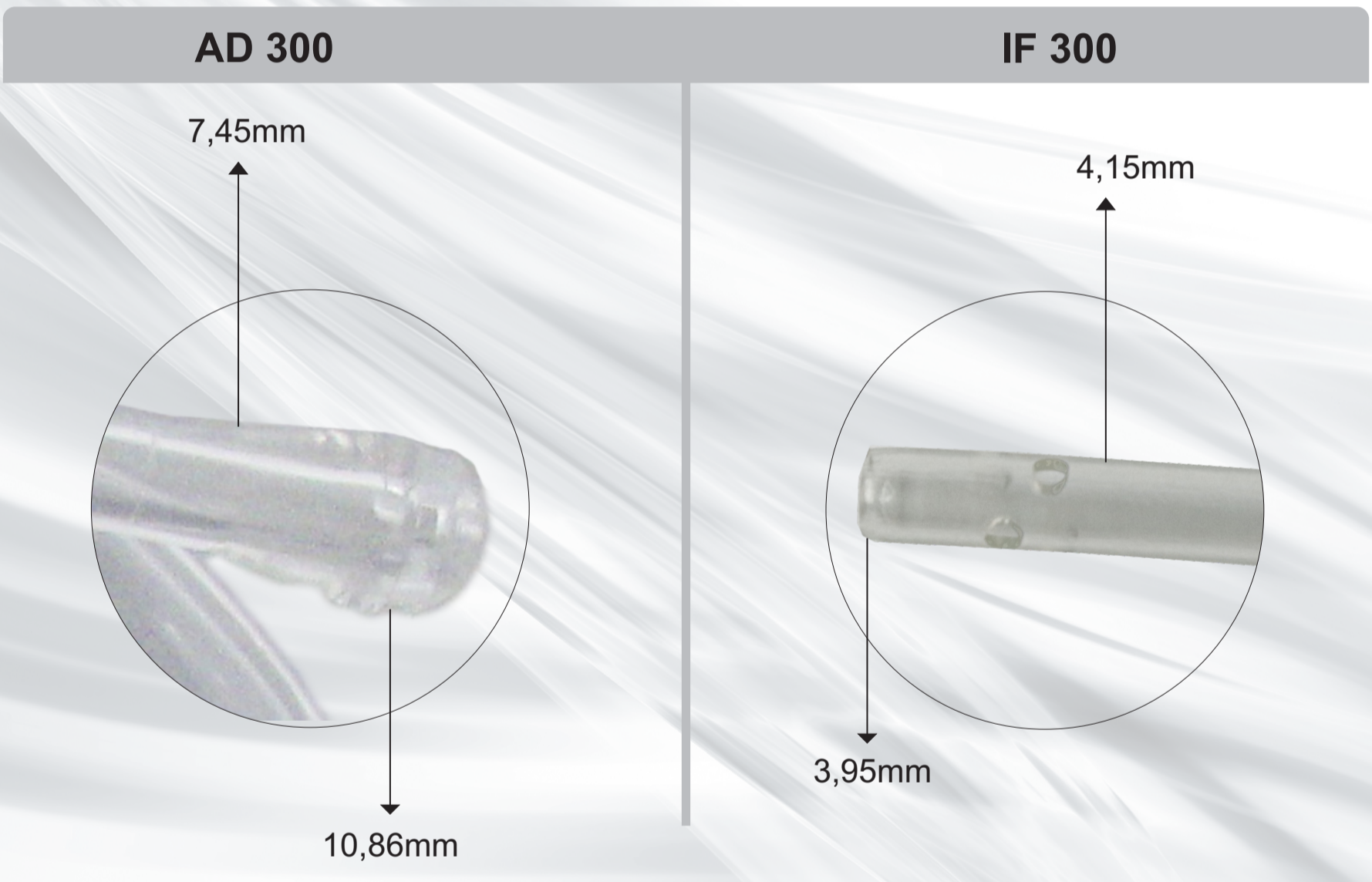
	AD 300	IF 300
Tube material	PVC	PVC
Tube length	300cm	300cm
Tip material	PVC Rígido	Acrylic
Vacuum adapter material	Silicon	Silicon

\* See image

## Code

11037  
Suction Drain - AD 300

110317  
Suction Drain - IF 300



Catalogue Code 600261  
Rev. 00

**Braile Biomédica Indústria, Comércio e Representações Ltda.**  
 Av. Pres. Juscelino K. de Oliveira, 1505 • Jardim Tarraf I  
 Zipe Code 15091-450 • São José do Rio Preto • SP • Brazil  
 Phone #55 17 2136 7000 • Fax #55 17 2136 7040  
 Federal Tax ID: 52.828.936/0001-09  
 Technician in charge: Vladimir D. A. Ramirez • CRF/SP 9010  
 ANVISA Reg. nº 10159030081  
[www.braile.com.br](http://www.braile.com.br)

